

UC3304-400/600/800, 18 LITRES



- ▶ Designed mainly for industries handling pharmaceutical and food products.
- ▶ All materials in contact with the conveyed product fulfil the requirements of GMP, FDA, USDA and 3-A.
- ▶ Turnkey conveyor that is easy to install and start up.
- ▶ Fully pneumatic.
- ▶ Hygienic butterfly valve.
- ▶ Compliant with ATEX (option).
- ▶ Unibody with tri-clamp connection.

TECHNICAL DATA

Description	Unit	Value
Feed pressure, max.	MPa	0.7
Feed pressure range	MPa	0.4-0.6
Vacuum range	-kPa	61-75
Noise level range	dB(A)	72-76
Material		ASTM 316L, (EPDM/Q*)
Temperature range	°C	0-60
Safety classification control unit		IP54
Min. particle size	µm	0.5

* Depends on material choice.

TECHNICAL DATA SPECIFIC

Description	Air consumption range, NI/s	Weight, kg	Material batch volume, l
UC3304-400, 18 litres	20-28	57	18
UC3304-600, 18 litres	30-42	62	18
UC3304-800, 18 litres	40-56	62	18

TECHNICAL DATA FILTER

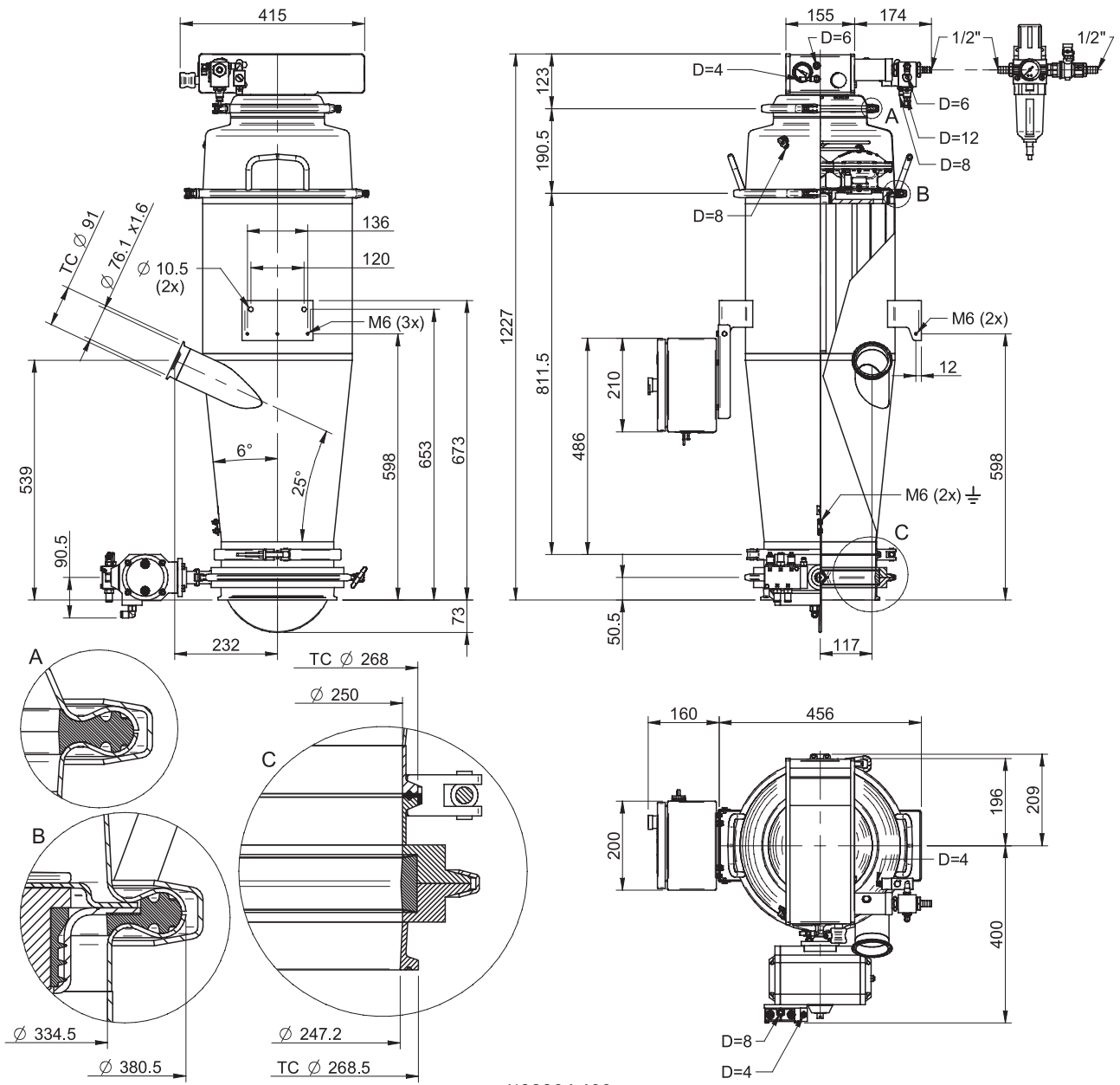
Description	Filter area, m ²	Material
Rod filter Gore Sinbran	0.57	PTFE, PE
Pleated filter	1.50	PTFE, Polyester, PUR, EN1.4571

CAPACITY

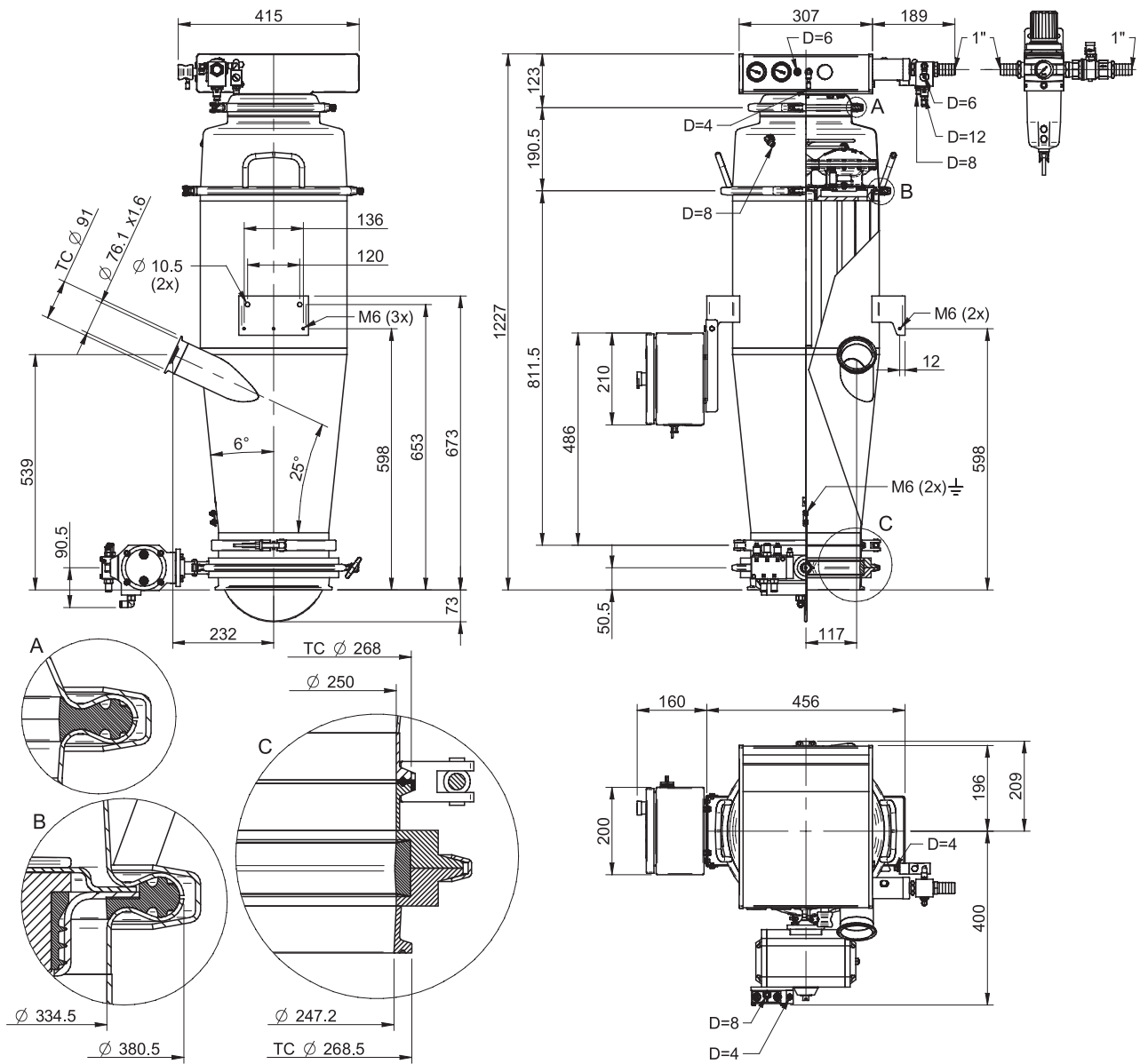
Capacity ton/h at different conveying distances				
Size	5 m	10 m	20 m	30 m
UC3304-400, 18 litres	3.60	1.80	0.90	0.60
UC3304-600, 18 litres	5.40	2.70	1.35	0.90
UC3304-800, 18 litres	7.20	3.60	1.80	1.20

ORDERING INFORMATION

1. Series	Code
33	33
2. Classification	Code
None	AA
ATEX	AB
3.1 B Certificate	AC
3.1 B Certificate ATEX	AD
2.2 Certificate	AE
2.2 Certificate ATEX	AF
3. Sealing material	Code
Ethylene Propylene (EPDM)	00
Silicone (Q)	01
4. Pump unit	Code
No pump	AA
Pump unit Maxi L400	AD
Pump unit Maxi L600	AE
Pump unit Maxi L800	AF
5. Filter type	Code
No filter	00
Rod filter Gore Sinbran 3304	04
Rod filter Gore Sinbran Antistat 3304	08
Pleated filter 3304	12
6. Filter shock module	Code
Filter shock module UC33 internal	AB
7. Connection module	Code
Connection module UC3304 18l with brackets	07
8. Inlet equipment	Code
No inlet equipment	AA
Inlet butterfly valve unit 3", actuator in SS, sealing in EPDM	AD
Inlet butterfly valve unit 3", actuator in SS, sealing in Q	AE
9. Bottom valve unit	Code
No bottom valve	00
Bottom butterfly valve unit DN250, actuator in al, sealing in EPDM	03
Bottom butterfly valve unit DN250, actuator in al, sealing in Q	04
10. Control unit	Code
No control unit	AA
Control unit CU 1B	AB
Control unit CU 2B	AC
Control unit VU-EP	AD
Example	Code
UC3304-600 with Q sealings, Pleated filter and 18 l internal volume incl. CE 2A	UC33.AA.01.AE.04.AB.07.AA.04.AD



UC3304-400



UC3304-600/800